

# QLA-140000-200000-15-45

140~200GHz, 15dB, 4.5dB

**Features:**

- \* Broad Band
- \* Low Noise

**Applications:**

- \* Wireless
- \* Receiver
- \* Laboratory Test
- \* Radar

**Electrical**

|                    |                             |
|--------------------|-----------------------------|
| Frequency:         | 140~200GHz                  |
| Small Singal Gain: | 15dB min.                   |
| Gain Fatness:      | ±3dB                        |
| Noise Figure:      | 4.5dB typ.                  |
| Input VSWR:        | 2.5 typ.                    |
| Output VSWR:       | 2.5 typ.                    |
| Voltage:           | +7V DC (+5V min., +8V max.) |
| Current:           | 39mA typ.                   |
| Impedance:         | 50Ω                         |
| Input Power:       | 10dBm max.                  |

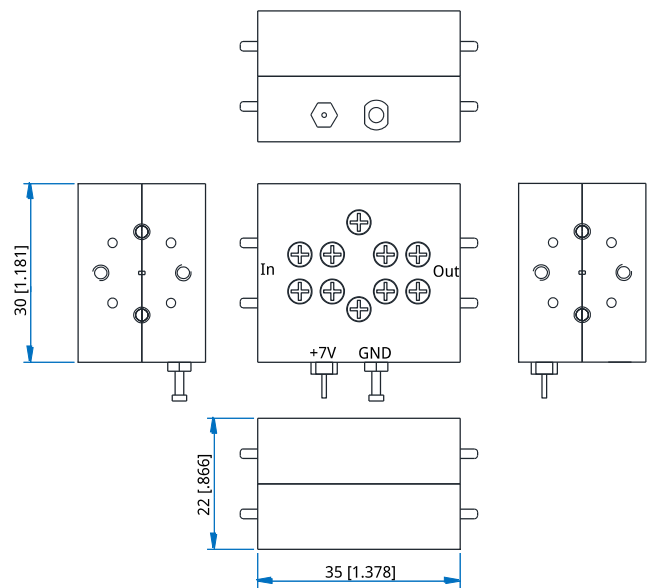
**Mechanical**

|                          |                                   |
|--------------------------|-----------------------------------|
| Size*1:                  | 35*30*22mm<br>1.378*1.181*0.866in |
| RF Interface:            | WR-5                              |
| Power Supply Connectors: | Feed Through/Terminal Post        |

[1] Exclude connectors.

**Environmental**

|                            |            |
|----------------------------|------------|
| Operating Temperature:     | -55~+85°C  |
| Non-operating Temperature: | -65~+150°C |

**Outline Drawings**


Unit: mm [in]

Tolerance: ±0.2mm [±0.008in]

**How To Order**

[QLA-140000-200000-15-45](#)

Customization is available upon request.